

SOLINTEG EBA SERIES
HIGH VOLTAGE STORAGE SYSTEM
EBA-B5K1



User Manual

ENGLISH VERSION



CONTENTS

1	About This Manual.....	5
1.1	How To Use This Manual.....	5
1.2	Target Groups.....	5
1.3	Symbols.....	5
1.4	Revision Record.....	6
2	Safety Instructions.....	7
2.1	General Safety.....	7
2.2	Personnel Safety.....	9
3	Statement.....	10
3.1	General Statements.....	10
3.2	Precautionary Statement.....	10
3.2.1	Battery Leakage.....	10
3.2.2	Fire.....	11
4	Product Introduction.....	12
4.1	Appearance Introduction.....	12
4.2	Symbols on the Battery.....	13
4.3	Button and Indicator.....	14
4.3.1	Button.....	14
4.3.2	Indicator.....	14
5	Unpacking and Storage.....	15
5.1	Packing List.....	15
5.2	Storage Considerations.....	18
6	Installation.....	19
6.1	Location.....	19
6.2	Installation Method.....	19
6.3	Fast installation with Solinteg M2HS-3~6K.....	20
6.4	Wall-mounting Normal Installation.....	21
6.4.1	Mechanical Installation.....	21
6.4.2	Power Cable Connection.....	23
6.4.3	Communication Line Connection.....	25
6.5	Floor-standing Normal Installation.....	27
6.5.1	Mechanical Installation.....	27
6.5.2	Power Cable Connection.....	29
6.5.3	Communication Line Connection.....	29

CONTENTS

6.6 External Ground Connection.....	30
7 Commissioning	31
7.1 Switch Battery On.....	31
7.2 Switch Battery Off.....	31
7.3 Black Start	31
8 Maintenance	32
9 Troubleshooting	34
10 Appendix	36
10.1 Technical Parameters.....	36
10.2 Contact Information	37



1 About This Manual

1.1 How To Use This Manual

This manual is an integral part of Solinteg EBA-B5K1 series high voltage LFP battery system (hereinafter referred to as the battery or EBA battery). It mainly introduces the safety instruction, assembly, installation, electrical connection, debugging, maintenance and troubleshooting of the products.

The products, services or features purchased are subject to the commercial contracts and terms of Wuxi Solinteg Power Co., Ltd. All or part of the products, services or features described in this document may not be within purchased. This document serves only as a guide to use, and all statements, information and recommendations in this document do not constitute any express or implied guarantee.

1.2 Target Groups

This manual is applicable to the electrical installers with professional qualifications and end-users, who should have the following skills:

- ① Training for installation and commissioning of electrical system, as well as dealing with hazards.
- ② Knowledge of the manual and other related documents.
- ③ Knowledge of the local regulations and directives.

1.3 Symbols

This manual contains important safety and operation instructions that must be accurately understood and followed during the installation and maintenance of the equipment. To ensure accurate use of this manual, please note the following symbol explanations.

	Indicates a hazard with a high level of risk that, if not avoided, will result in death or serious injury.
--	--

	Indicates a hazard with a medium level of risk that, if not avoided, could result in death or serious injury.
--	---

	Indicates a hazard with a low level of risk that, if not avoided, could result in minor or moderate injury.
--	---



Provides extra info to help users use the equipment better. "NOTE" is not a safety warning and does not involve personal, equipment, or environmental hazard information.

1.4 Revision Record

EBA-B5K1-UM-EN-V01

2024/11/08 First Release

2 Safety Instructions

2.1 General Safety



Do not dispose in fire, mix with other battery types, charge above specified rate, connect improperly, or short circuit, which may result in overheating, explosion or leakage of cell contents.



Do not open or disassemble EBA battery. LFP Cells in EBA Battery are not replaceable.



Keep away from heat/sparks/open flames/hot surfaces. Ambient and storage method could impact the product life span, so please comply with the operation environment instruction to ensure that device could work in proper condition.



Please pay attention to safety when installing because battery is heavy.



A battery can present a risk of electrical shock, fire, or explosion from vented gases. Observe proper precautions.



When installing the battery, please disconnect the power supply first. Live electrical work is prohibited.



Do not connect the PV module or DC source directly to the battery.



Prohibited to install, disassemble or operate any part of the whole system if any part is electrified during normal.



Prohibited to drill, cut, chop, puncture, deform, incinerate or any other destructive action, which may lead to damage of sealing, insulation.



Do not directly turn off the switch on the battery during normal operation.



Only can be installed and operated by authorized and qualified personnel.



Adequately insulated tools must be used at all times to ensure battery terminals are not short-circuited.



Stable and reliable grounding shall be equipped properly for safety and normal operation.



Please carefully check the products before installation. Please contact your installer or distributor immediately if any abnormal damage or deformation, especially stab, hit, trample or strike.



Protective equipment must be used during installation, disassembly and operation, such as protective clothing, insulated shoes, goggles, safety helmets, insulated gloves, etc.



Please do not mix use batteries from different manufacturers, different types and models, as well as old and new together.



Carefully check and confirm the power connection, communication connection and configuration of whole system (including inverter, battery, PV, load, utility grid, etc.) in accordance with corresponding manual before operation.

2.2 Personnel Safety

- ① Personnel must be trained in installation, commissioning of the electrical system and dealing with hazards.
- ② Personnel should read this manual thoroughly and understand the safety matters related to operation.
- ③ Personnel should be familiar with the relevant local safety regulations of electrical systems.
- ④ Do not wear metal objects such as rings, watches, and key chains and take proper safety precautions, such as wearing insulation gloves and electrician's shoes.
- ⑤ Do not store un-insulated tools in pockets or tool belts while working in the vicinity of the battery to avoid short circuits and personal injuries.

3 Statement

3.1 General Statements

Please read this manual carefully before transporting, storing, installing, operating, using and maintaining the equipment, adhere to safety cautions in this manual and equipment.

Wuxi Solinteg Power Co., Ltd. has the right not to undertake quality assurance in any of the following circumstances:

- ① Damages caused by improper transportation.
- ② Damages caused by incorrect storage, installation or use.
- ③ Damages caused by installation and use of equipment by non-professionals or untrained personnel.
- ④ Damages caused by failure to comply with the instructions and safety warnings in this document.
- ⑤ Damages of running in an environment that does not meet the requirements stated in this document.
- ⑥ Damages caused by operation beyond the parameters specified in applicable technical specifications.
- ⑦ Damages caused by unauthorized disassembly, alteration of products or modification of software codes.
- ⑧ Damages caused by unauthorized opening of the equipment's cover and disassembling or replacing internal components.
- ⑨ Damages caused by abnormal natural environment (force majeure, such as lightning, earthquake, fire, storm, etc.).
- ⑩ Any damages caused by the process of installation and operation which don't follow the local standards and regulations.
- ⑪ Products beyond the warranty period.

3.2 Precautionary Statement

▼ 3.2.1 Battery Leakage

Due to the corrosion of electrolyte, protective gloves / protective clothing / eye protection / face protection shall be used to avoid directly contact. If exposed to the leaking substance, following actions shall be taken:

People shall be evacuated and get medical attention immediately.

- ① If inhalation: Contaminated work clothing must not be allowed out of the workplace.

And completely washed before reuse.

- ② If skin contact: Wash with plenty of water and get medical advice/attention immediately.
- ③ If eye contact: Rinse cautiously with water for several minutes. Remove contact lenses, if present and easy to do. Continue rinsing. And then get medical advice/attention.
- ④ If ingestion: Induce vomiting and get medical advice/attention immediately.

▼ 3.2.2 Fire

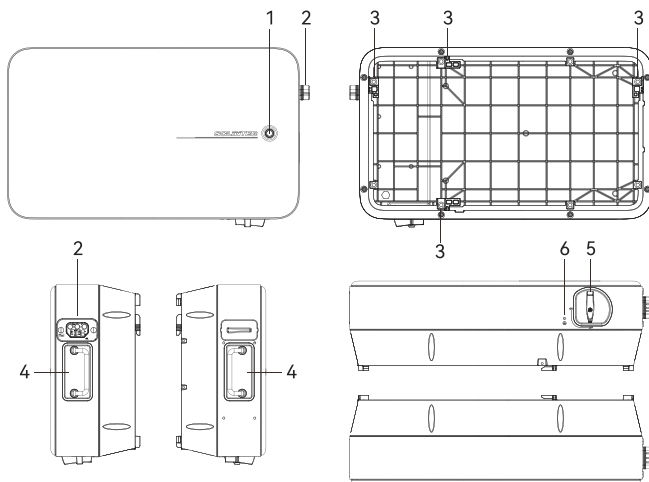
- ① Carbon dioxide, Novac1230, or FM-200 fire extinguishers shall be equipped near the equipment.
- ② Extinguish the fire before battery catching fire.
- ③ If battery on fire, evacuate people immediately without any hesitation.

4 Product Introduction

EBA-B5K1 is Li-HV battery system, which includes an internal BMS (Battery Management System) module and battery module.










Product model: EBA-B5K1

4.1 Appearance Introduction



Item	Description
1	Button and indicator
2	Integral battery plug
3	Hanger
4	Handle
5	Battery DC switch
6	Grounding terminal

4.2 Symbols on the Battery





Symbol	Description
	<p>Please read the instructions carefully before installation.</p>
	<p>CE mark, the battery complies with the requirements of the applicable CE guidelines.</p>
	<p>Class 9 dangerous goods identification.</p>
 Li-ion	<p>Lithium battery recyclable identification.</p>
	<p>To avoid the potential effects on the environment and human health as a result of the presence of hazardous substances in electrical and electronic equipment, end users of electrical and electronic equipment should understand the meaning of the crossed-out wheeled bin symbol. Do not dispose of WEEE as unsorted municipal waste and have to collect such WEEE separately.</p>
	<p>Risk of explosion!</p>
	<p>Risk of electric shock!</p>
	<p>Risk of fire!</p>
	<p>Grounding mark.</p>

4.3 Button and Indicator

▼ 4.3.1 Button

Operation	Description
Set battery DC switch to ON and press the button for 1 second.	Battery power-on
Hold down the button for 3 seconds and set battery DC switch to OFF.	Battery power-off
Set battery DC switch to ON and hold down the button for 30 seconds.	Battery black start

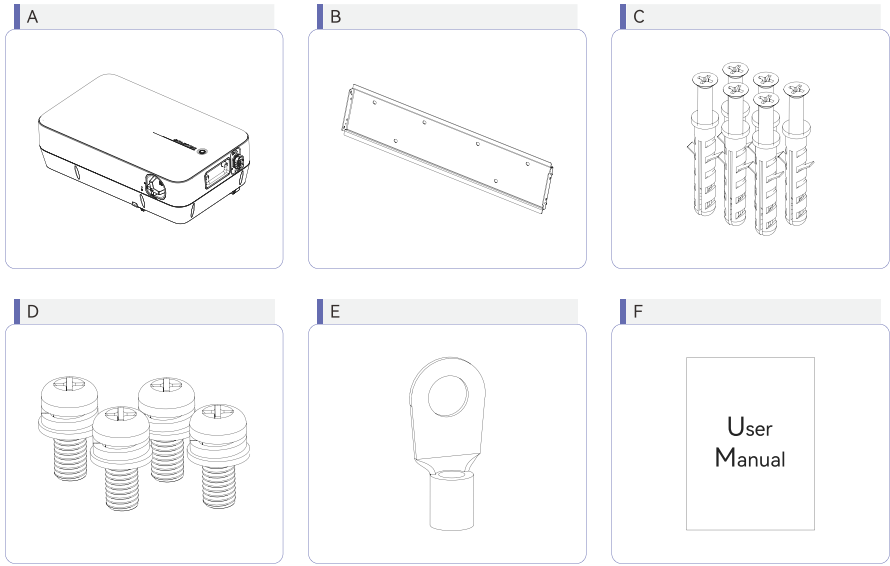
▼ 4.3.2 Indicator

Color	Status	Flashing cycle	Description
Green	Flashing		Battery works normal.
Red	Flashing		The battery is power-off, but the DC switch is set to ON.
	Always on		Fault occurs for the battery.
Blue	Flashing		The battery is in a dormant state.

5 Unpacking and Storage

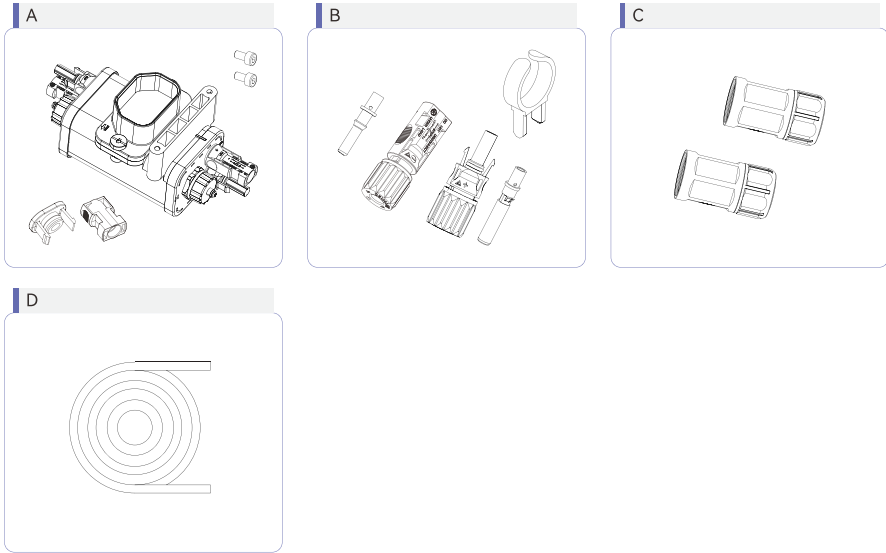
5.1 Packing List

Standard configuration



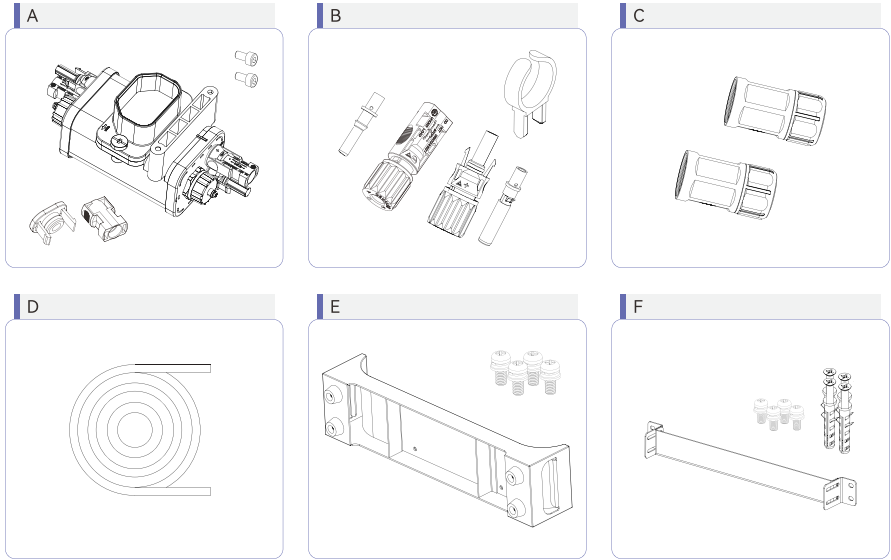
Item	Description
A	Battery (1pcs)
B	Wall-mounting bracket (1pcs)
C	M5 expansion bolt (6pcs)
D	M5 bolt (4pcs)
E	Grounding OT terminal (1pcs)
F	User Manual (1pcs)

Optional for wall-mounting normal installation



Item	Description
A	Battery adapter (1pcs) (Includes 2pcs screws, 2 sets of waterproof covers pre-installed on the battery adapter)
B	10mm ² battery terminals (2pairs) (Including 1pcs unlocking tool)
C	RJ45 waterproof protection covers (2pcs)
D	Communication cable (1pcs)& Power cable (1pair)

Optional for floor-standing normal installation



Item	Description
A	Battery adapter (1pcs) (Includes 2pcs screws, 2 sets of waterproof covers pre-installed on the battery adapter)
B	10mm ² battery terminals (2pairs) (Including 1pc unlocking tool)
C	RJ45 waterproof protection covers (2pcs)
D	Communication cable (1pcs)& Power cable (1pair)
E	Base (Includes 4pcs bolts)
F	Floor-standing bracket (including 2pcs M5 expansion bolts)

5.2 Storage Considerations

- ① Please store the battery in the original packages.
- ② Please store the battery in a clean, dry, and well-ventilated indoor environment. Do not expose it to outdoor environments or rain during storage.
- ③ Do not put heavy objects on the battery.
- ④ Do not pile more than 6 layers when storing a batch of batteries.
- ⑤ Store batteries in a fire-free zone with clear "No Fire" warnings, and keep separate from flammable or explosive materials.
- ⑥ For short-term storage within 3 months, the battery is suggested to be stored in the temperature range of 0 ~ 45° c, relative humidity between 5 ~ 90% and corrosive-gas-freed environment.
- ⑦ For long-term storage, e.g. if it needs to be stored for a long time (more than 3 months), the battery is highly suggested to be stored in the temperature range of 0 ~ 25° c, relative humidity range of 5 ~ 65% and corrosive-gas-freed environment.
Prior to storage, the battery should be charged to a SOC between 50~55%.
It is recommended to discharge and charge the battery every 3 months, charge to full and discharge to 50%. The longest discharge and charge interval shall not exceed 6 months.
- ⑧ Battery needs to be recharged within 12 hours after fully discharged.



If you don't follow the above instructions for storage, the battery cycle life will decrease heavily.

6 Installation

6.1 Location

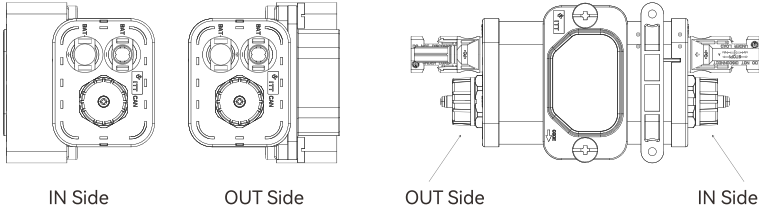
- ① The EBA-B5K1 battery is designed with IP65 protection enclosure for indoor and outdoor installations.
- ② The battery must be mounted on a wall capable of bearing its weight.
- ③ The battery should be installed in a well-ventilated environment for good heat dissipation.
- ④ Do not expose the battery to direct sunlight or corrosive gases. Keep them away from metal objects.
- ⑤ Make sure no liquid, flammable or explosive material in the installation area.
- ⑥ Please make sure the battery system is out of reach by children and pets.
- ⑦ Must equipped with fire-extinguisher system.
- ⑧ The distance from heat source is more than 2 meters.
- ⑨ The battery should be installed in a place where the temperature is between -20°C and $+55^{\circ}\text{C}$, and the humidity is between 5% and 90%.

6.2 Installation Method

The EBA-B5K1 battery has three installation methods, from which users can choose based on their installation and usage conditions.

No.	Installation type	Method	Note	Compatible inverter
1	Fast installation	Plug and play	Do not require any cable connections for power and communication	Solinteg M2HS-3~6K
2	Normal installation	Wall-mounting	A battery adapter is required	Solinteg M2HS-3~6K, MHS-3~8K, MHT-4~20K
3		Floor-standing	A battery adapter, battery base, and floor-standing bracket are required	Solinteg M2HS-3~6K, MHS-3~8K, MHT-4~20K

The terminal definitions for the battery adapter are as follows:



Side	Symbol	Description
IN Side	+	Positive pole
	-	Negative pole
	CAN	Communication terminal
OUT Side	+	Positive pole
	-	Negative pole
	CAN	Communication terminal

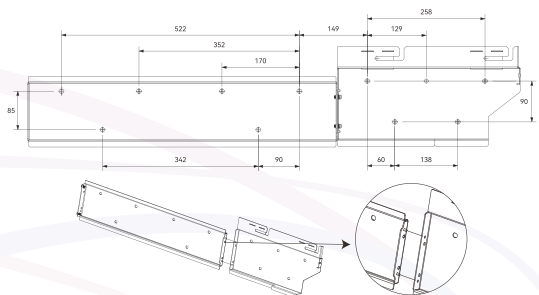


- ① Terminal direction: The battery adapter does not have specific direction requirements for the battery and communication terminals. You can choose either terminal as the input, with the other automatically function as the output.
- ② Terminal sealing: If a set of terminals is not in use, it is essential to seal them with waterproof caps to ensure safety and water resistance

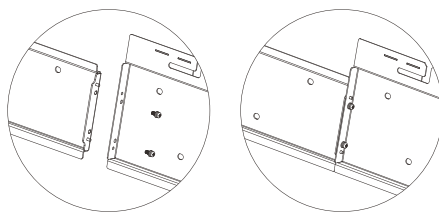
Based on the three installation methods mentioned above, users can parallel the batteries in a system. For specific paralleling solutions, please contact the Solinteg service team.

6.3 Fast installation with Solinteg M2HS-3~6K

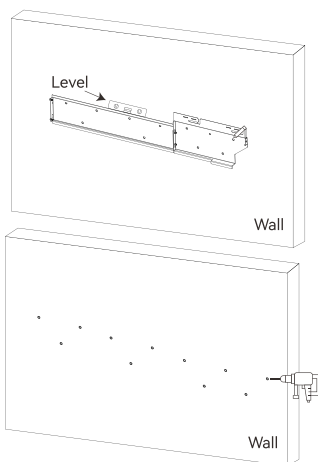
- ① Assemble the EBA-B5K1 battery bracket with the M2HS-3~6K inverter bracket by aligning them using the positioning pins.



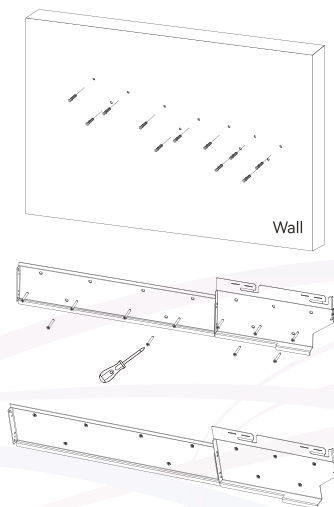
② Securely fasten the bolts into the designated holes to join the two brackets using a screwdriver.



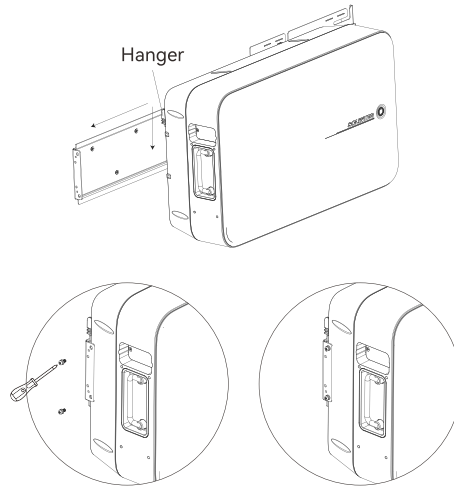
③ Position the assembled brackets horizontally on the wall with the aid of a level. Mark the spots for drilling with a marker pen. Create the holes using an electric drill.



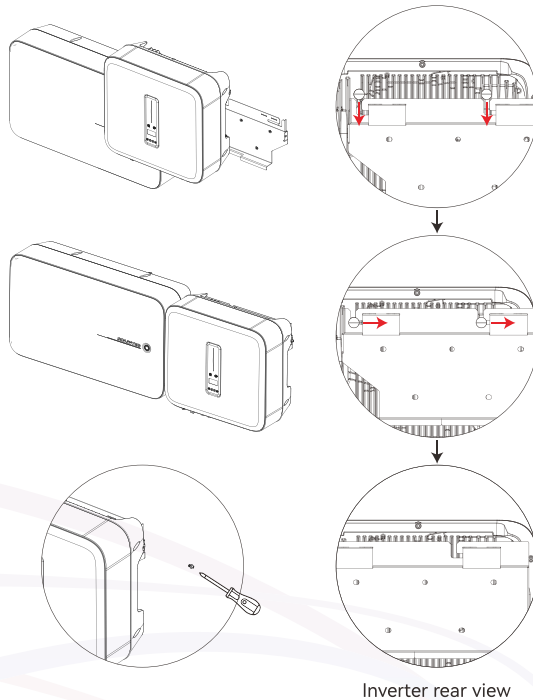
④ First, insert the expansion tubes, then thread the screws through the holes and tighten them with an electric screwdriver to secure the assembled brackets.



⑤ Lift the battery and carefully hang the rear rail on the battery's bracket. Position the battery close to the left bolt hole and tighten the M5 screw on the left side to secure the battery.



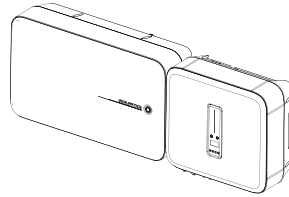
⑥ Lift the inverter. Align the inverter's bracket bolts with the grooves on the inverter bracket. Move downward first, then to the left, to slide the bracket bolts into the grooves. Tighten the M5 screw on the right side to secure the inverter.





Ensure the battery and inverter are flush and tighten the screws securely.

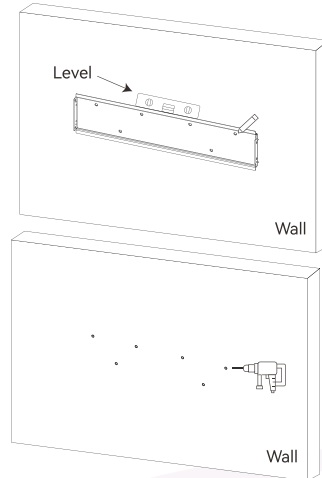
⑦ The battery and inverter are now successfully connected via the quick-connection method. There is no need for additional power or communication wiring.



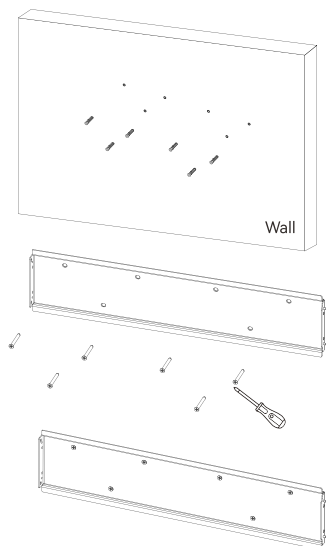
6.4 Wall-mounting Normal Installation

▼ 6.4.1 Mechanical Installation

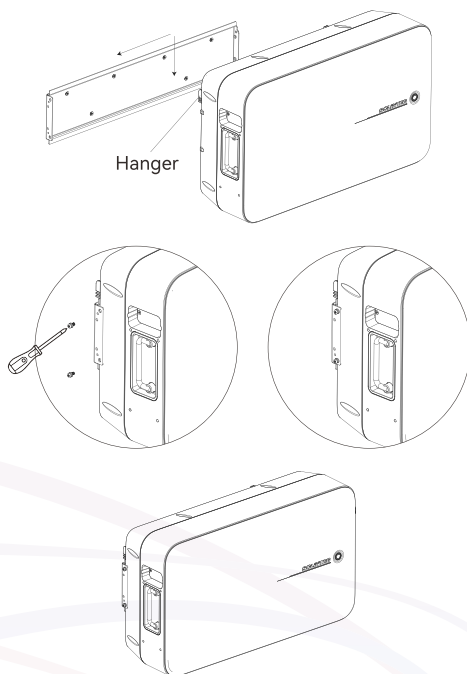
① Position the wall-mounting bracket of battery horizontally on the wall with the aid of a level. Mark the spots for drilling with a marker pen. Create the holes using an electric drill.



② First, insert the expansion tubes, then thread the screws through the holes and tighten them with an electric screwdriver to secure the bracket.



③ Lift the battery and carefully hang the rear rail on the battery's bracket. Position the battery close to the left bolt hole and tighten the M5 screw on the left side to secure the battery.



▼ 6.4.2 Power Cable Connection



Prior to battery connection, ensure that the battery-side breaker is disconnected and the DC switch is set to the OFF position to avoid the risk of electric shock.



When connecting the battery, ensure that the positive and negative polarities are correct.



For this installation method, additional battery adapter are required. Please contact the distributor or Solinteg to purchase.

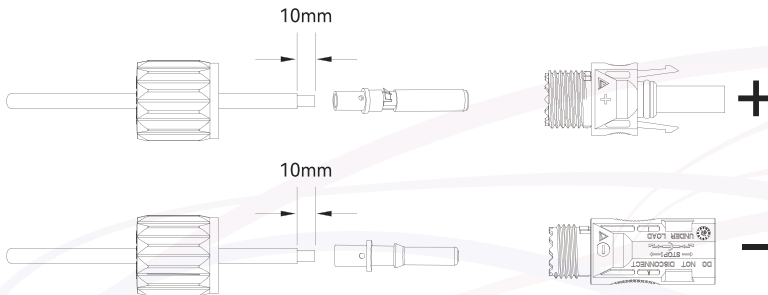
① Please select the appropriate cable specifications based on actual conditions. The recommended specifications are as follows:

Name	Cable outer diameter	Cross-sectional area
DC cable	5~8mm	6~10mm ²

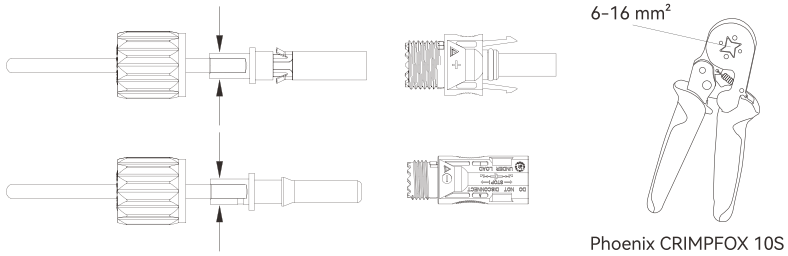
② Peel off the battery cable insulation sleeve for 10 mm.



③ Disassemble the battery connector.

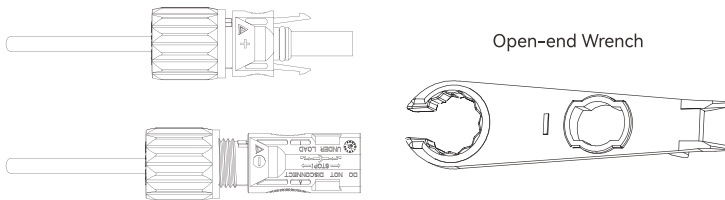


④ Insert the battery cable through into the metal terminal of the connector and press the terminal with a professional crimping plier, with the "Phoenix CRIMPFOX 10S" being the recommended choice. Pull back the cable with some power to check if the terminal is well connected to the cable.

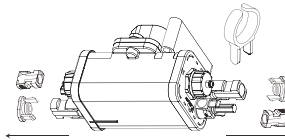


⑤ Insert the positive and negative cables into the corresponding positive and negative connectors, pull back the battery cable to ensure that the terminal is tightly attached in the connector.

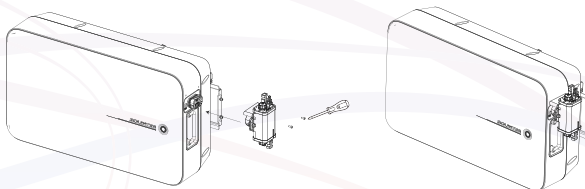
⑥ To ensure proper sealing of the terminal, use an open-end wrench to securely tighten the nut to the end.



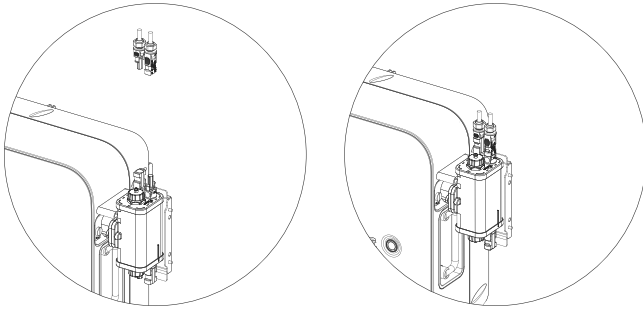
⑦ Please use unlocking tool to remove the waterproof covers from battery adapter.



⑧ Insert the battery adapter into the integral battery plug. Secure it with 2 bolts.



⑨ Insert the positive and negative connectors into the corresponding positive and negative poles of the battery adapter, a "click" sound represents the assembly in place.



▼ 6.4.3 Communication Line Connection



The length of the communication cable between the battery and inverter is suggested to be within 10 meters.



Please utilize the RJ45 waterproof cover provided within the accessory kit.

The definition of RJ45 terminal for the battery adapter "CAN IN&OUT" is as below:

CAN IN&OUT	No.	Color	Definition
	1	Orange & White	/
	2	Orange	/
	3	Green & White	Encode_B
	4	Blue	CANH_B1
	5	Blue & White	CANL_B1
	6	Green	Encode_A
	7	Brown & White	CANL_Debug
	8	Brown	CANH_Debug

Connect with Solinteg M2HS-3~6K inverter

The RJ45 terminal definition for the M2HS-3~6K inverter's COM3 BMS1 is as below:

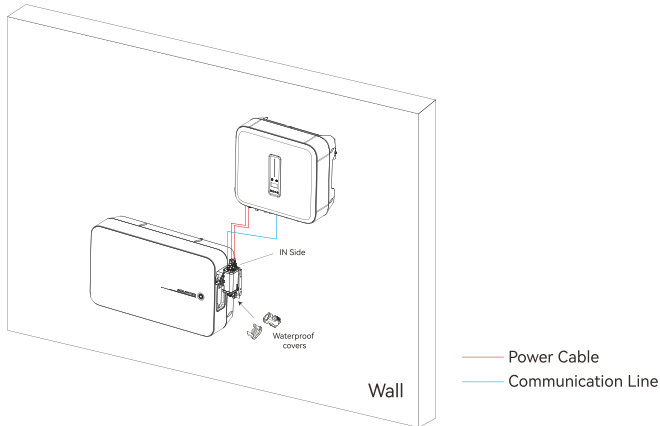
CAN IN&OUT	No.	Color	Definition
	1	Orange & White	RS485_A3
	2	Orange	RS485_B3
	3	Green & White	Encode_B
	4	Blue	CANH_B1
	5	Blue & White	CANL_B1
	6	Green	Encode_A
	7	Brown & White	CANL_Debug
	8	Brown	CANH_Debug

Connect with Solinteg MHS-3~8K / MHT-4~20K inverter

The RJ45 terminal definition for the MHS-3-8K / MHT-4-20K inverter's COM2 BMS is as below:

CAN IN&OUT	No.	Color	Definition
	1	Orange & White	RS485_A3
	2	Orange	RS485_B3
	3	Green & White	/
	4	Blue	CANH_B1
	5	Blue & White	CANL_B1
	6	Green	/
	7	Brown & White	/
	8	Brown	/

Once the power and communication cables between the battery and inverter have been connected, see the illustration below for details (as shown with the M2HS-3-6K inverter):



CAUTION

- ① Terminal direction: The battery adapter does not have specific direction requirements for the battery and communication terminals. You can choose either terminal as the input, with the other automatically function as the output.
- ② Terminal sealing: If a set of terminals is not in use, it is essential to seal them with waterproof caps to ensure safety and water resistance

6.5 Floor-standing Normal Installation

▼ 6.5.1 Mechanical Installation



CAUTION

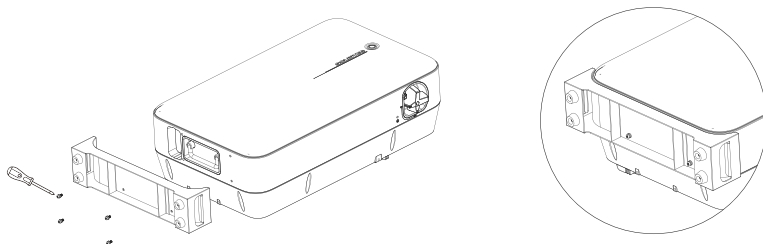
For floor-standing battery installations, both the base and the floor-standing bracket are mandatory. The base is designed to support the bottom of the battery, while the floor-standing bracket is intended to prevent the battery from tipping over.



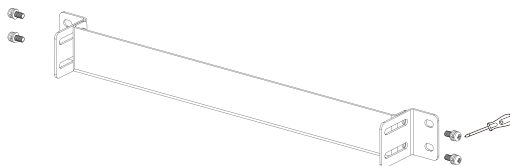
CAUTION

Please ensure that the installation is on a level surface.

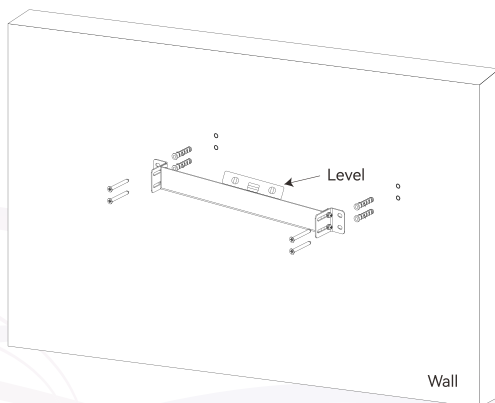
① Secure the battery base to the battery's underside by tightening the bolts with a screwdriver.



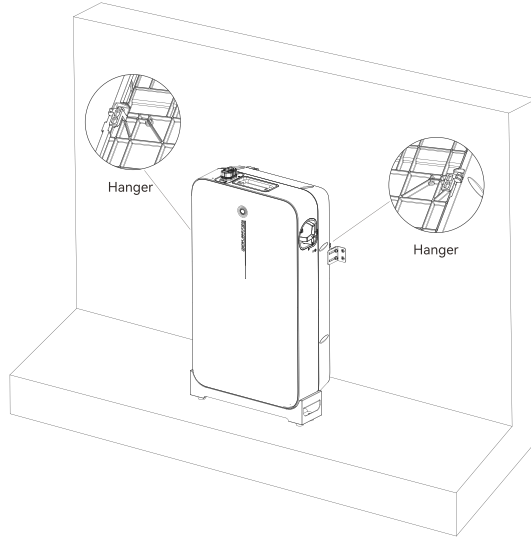
② The floor-standing bracket is composed of three components. Assemble these components together using screws.



③ Determine the installation height for the floor-standing bracket based on the height of the battery in its upright position with the base installed. Position the bracket horizontally using a level and mark the spots for drilling with a marker. Drill the holes with an electric drill. Insert the expansion bolts through the holes and secure the bracket with an electric screwdriver by tightening them.



- ④ Hang the battery on the bracket using the hangers located on the battery's rear.



▼ 6.5.2 Power Cable Connection

For detailed connection instructions, refer to Section 6.4.2 "Power Cable Connection".

▼ 6.5.3 Communication Line Connection



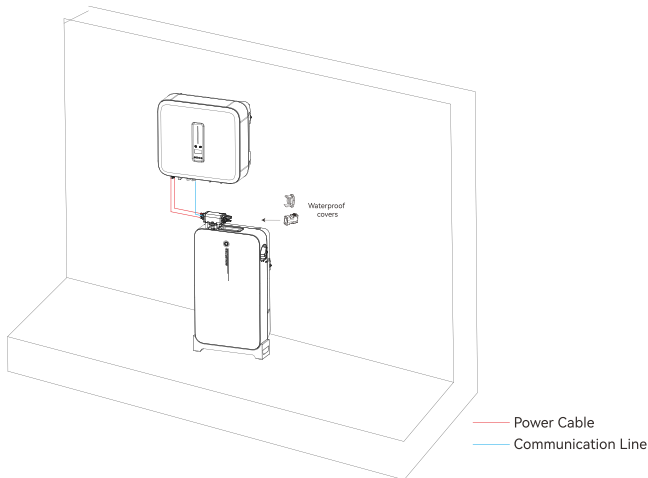
The length of the communication cable between the battery and inverter is suggested to be within 10 meters.



Please utilize the RJ45 waterproof cover provided within the accessory kit.

For detailed connection instructions, refer to Section 6.4.3 "Communication Line Connection".

Once the power and communication cables between the battery and inverter have been connected, see the illustration below for details (as shown with the M2HS-3-6K inverter):

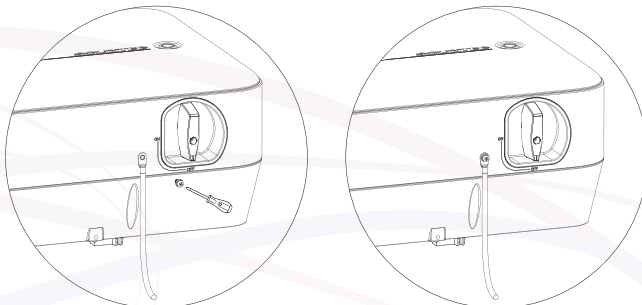


CAUTION

- ① Terminal direction: The battery adapter does not have specific direction requirements for the battery and communication terminals. You can choose either terminal as the input, with the other automatically function as the output.
- ② Terminal sealing: If a set of terminals is not in use, it is essential to seal them with waterproof caps to ensure safety and water resistance

6.6 External Ground Connection

Use a crimping plier to crimp the PE conductor into the OT terminal. Then, use a screwdriver to secure the OT terminal onto the battery's external grounding bolt. Connect the other end of the PE conductor to the grounding copper bus bar.



7 Commissioning

7.1 Switch Battery On

- ① Rotate the battery DC switch to "ON" position.
- ② Hold on power button for 1 seconds until the indicator lights up.



The steps above are only appropriate for battery startup. As for details about system startup, please refer to commissioning steps of the inverter user manual.

7.2 Switch Battery Off

- ① Turn the inverter off (Refer to the inverter user manual for detailed procedure).
- ② Hold on power button for 3 seconds until the indicator flashes.
- ③ Rotate the battery DC switch to "OFF" position.



Adhere to the correct shutdown procedure for the battery. Avoid directly turn off the DC switch on the battery during normal operation, as indicated by a flashing green light.

7.3 Black Start

When the DC switch on the battery is set to ON, press and hold the power button for 30 seconds to initiate the black start.

8 Maintenance



Risk of battery damage or personal injury due to incorrect operation!



Keep non-qualified persons away!

A temporary warning sign or barrier must be posted to keep non-qualified person away while performing electrical connection and maintenance.



Please refer to Section 7.2 "Switch Battery Off" for the procedures to power down the battery.



Restart the battery only when the trouble which might affect safety performance is cleared.

It is forbidden to random replace internal components.

For any maintenance support, please contact Solinteg. Otherwise, Solinteg shall not be held liable for any damage caused.



It is not suggested to maintain or repair the battery if you are in the absence of proper tools, test equipment or have not clearly and thoroughly understood the latest revision of the manual.

Methods of maintaining the electrical components are shown as below:

Item	Check Point	Method	Abnormal condition	Solution
Voltage	Check whether the output voltage is normal.	Multi-meter	The battery voltage exceeds the allowed range.	Contact distributor or Solinteg
Fault	Check the color and flashing frequency of the indicator.	Visual inspection	The indicator turns to be red on.	Contact distributor or Solinteg
Cable terminal	Insulation	Visual inspection	Cable cracking or aging. Terminal peeling or corroded.	Replace the cable or terminal
Connector	Connection reliability.	Visual inspection	Check for burn marks, pitting, corrosion, oxidation, and deformation on conductive copper cores and pins. Also inspect the casing, gaskets, and seals for aging and cracking.	Contact distributor or Solinteg

Battery maintenance is shown as below:

Frequency	Item	Solution
Every month	Working environment	Keep away from heat sources and direct sunlight.
	Visual inspection	If there is damage, leakage or deformation, isolate the faulty battery, take photos and replace the battery.
Every quarter	Keep clean	Clean shell with cotton cloth. Be careful when cleaning.
	Connection status	Check connectors, terminals, and cables for any looseness and tighten them if needed. Check the temperature of connectors, terminals and cables.
	Calibration	Perform a full charge and discharge calibration.
Half a year	Measure and record voltage	Collect charge and discharge data at least once every six months in the first year. In the second year, charge and discharge data were collected every three months.

9 Troubleshooting

If any battery fault occurs, record the fault information, and switch the battery off according to the procedures in Section 7.2 "Switch Battery Off", and then contact the distributor or Solinteg. Do not handle the fault by yourself.

No.	Trouble	Reason	Solution
1	The indicator doesn't light up after the DC switch is on and the battery power button is held for 1 second.	Internal fault or other faults.	Please contact Solinteg service team.
		When single cell voltage drops to smaller than 2.5V, it will trigger low voltage protection, which may lead the breaker to trip. Once the system does not supply the battery during 15 minutes after the breaker is switched on, the breaker will trip again.	<ol style="list-style-type: none"> ① Keep the grid and PV to supply the battery. ② Please contact Solinteg service team.
2	The indicator only displays red on when the battery is powered on.	Battery fault.	<ol style="list-style-type: none"> ① The fault and its detailed information can be found on Solinteg platform. ② Please contact Solinteg service team.

Fault codes and solutions are shown as below:

Code	Description	Solution
W410	Battery Undervoltage	<ol style="list-style-type: none"> ① Charge the Battery. ② Seek for help from the installer or manufacturer.
W411	Battery Overvoltage	<ol style="list-style-type: none"> ① Discharge the Battery. ② Seek for help from the installer or manufacturer.
W417	Voltage Unbalance	<ol style="list-style-type: none"> ① Fully charge the Battery. ② Seek for help from the installer or manufacturer.
E400	BMS Communication Fault	<ol style="list-style-type: none"> ① Check if the battery ID is correct. ② Check the communication between BMS and inverter. ③ Seek for help from the installer or manufacturer.
E403	BMS Dormancy	<ol style="list-style-type: none"> ① Press the button for 1 second to wake up the battery. ② Seek for help from the installer or manufacturer.

Code	Description	Solution
E404	Battery Voltage Sensor Fault	① Restart the battery. ② Seek for help from the installer or manufacturer.
E405	Battery Temperature Sensor Fault	① Restart the battery. ② Seek for help from the installer or manufacturer.
E406	Battery Internal Communication Fault	① Check the communication between BMS and inverter. ② Seek for help from the installer or manufacturer.
E409	Battery Relay Fault	① Restart the battery. ② Seek for help from the installer or manufacturer.
E416	Insulation Fault	① Check if the devices, cables, and connectors are waterlogged or damaged. ② Seek help from the installer or manufacturer
E421	Low Temperature	① Check if the battery temperature is same as ambient temperature. ② Restart the battery
E422	High Temperature	① Check if the battery temperature is same as ambient temperature. ② Restart the battery
E425	Charge Overcurrent	① Check if current limit protection is triggered. ② Restart the battery
E426	Discharge Overcurrent	① Check if current limit protection is triggered. ② Restart the battery
E429	Terminal Over Temperature	① Check that the battery power cable connections are secure. ② Seek for help from the installer or manufacturer.
E430	Abnormal Leakage	① Check if the devices, cables, and connectors are waterlogged or damaged. ② Seek help from the installer or manufacturer

10 Appendix

10.1 Technical Parameters

Parameter	EBA-B5K1
Total Storage Energy (kWh)	5.12
Usable Energy (kWh)	4.608
Rated Voltage (V)	256
Operating voltage range (V)	200~292
Rated Capacity (Ah)	20
Max Charge / Discharge Current (A)	20
Cell type	LiFePO4
Dimensions[W*D*H] (mm)	703x400x197
Weight (KG)	48
Ingress protection	IP65
Operating temperature range (°C)	-20~55
Relative humidity (%)	5~90
Operating altitude (m)	4000
Cooling	Natural Convection
Noise level (dB)	<25
Communication	CAN

10.2 Contact Information

Should you have any question about this product, please contact us.

We need the following information to provide you the best assistance:

- Model of the device
- Serial number of the device
- Date of the device
- Fault code/name
- Brief description of the problem

China (HQ)

Wuxi Solinteg Power Co., Ltd.

Address: Building 10, No. 52-2 Changjiang South Road, Xinwu District, Wuxi, China

Website: www.solinteg.com

Service Mail: service@solinteg.com

I N T E G R A T E S O L A R I N T E L L I G E N T L Y



www.solinteg.com



M11-00064-01